

APPLICATION:

PRODUCT NAME:  
**DRAINING FLAT STRAINER**

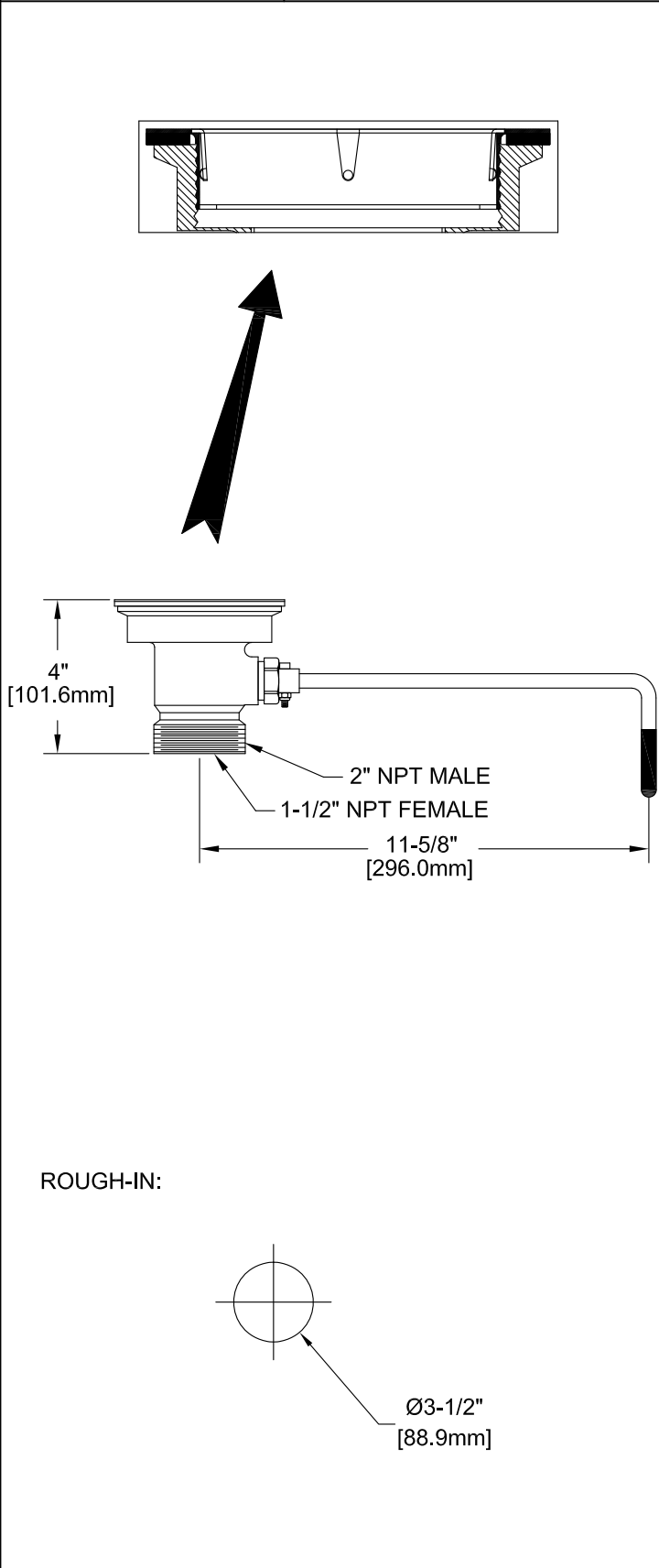
JOB NAME:

MODEL:

QUANTITY:

ITEM NO.:

- 22209 DRAINING FLAT STRAINER BRASS
- 28932 DRAINING FLAT STRAINER CHROME



OPTIONS OR MODIFICATIONS:

- OTHER \_\_\_\_\_

FEATURES:

- \* DUAL TEFLON SEALS
- \* STAINLESS STEEL BALL
- \* CAST RED BRASS BODY
- \* EXTRA STURDY STAINLESS STEEL CLAMPING RING
- \* "CLEAR THROUGH" OPENING - NO NEED TO DISASSEMBLE IF SNAKING IS REQUIRED
- \* INDUSTRY STANDARD "SEALING" ANGLE - FITS FLUSH TO STANDARD STAINLESS STEEL SINKS
- \* STAINLESS STEEL FLAT STRAINER
- \* 1/4 TURN FULLY OPENS AND CLOSES VALVE

DRAIN RATE:

- \* 12 GPM

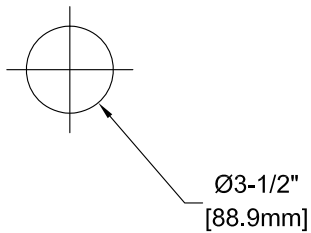
SHIPPING WEIGHT

- \* 5.0 LBS

PRODUCT COMPLIANCE:

- \* ASME A112.18.2 / CSA B125.2

ROUGH-IN:



FISHER MANUFACTURING COMPANY  
 TOLL FREE: 800-421-6162 - FAX: 800-832-8238  
 information@fisher-mfg.com - www.fisher-mfg.com