

Compartment Sinks



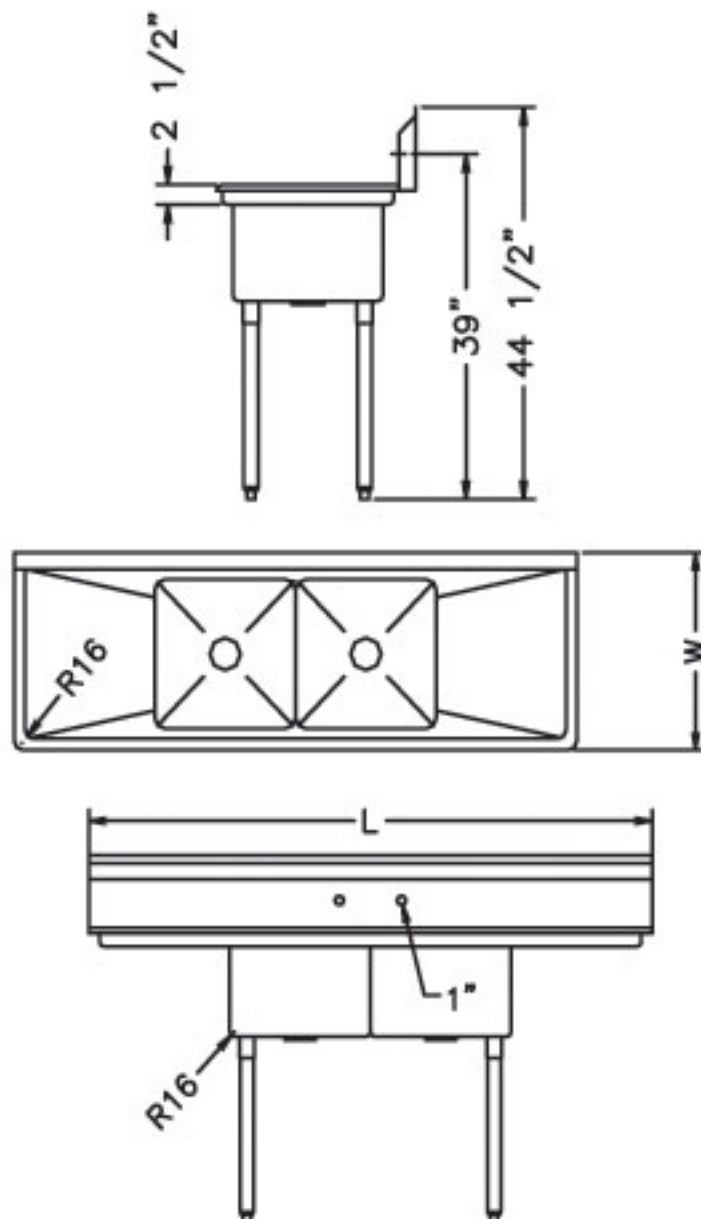
High Quality 304 Stainless steel
...TWO COMPARTMENT SINK...



* Faucets are not included

FEATURES / BENEFITS

- ENTIRE ASSEMBLY IS FUSED, SHIELDED AND POLISHED PROVIDING A ONE-PIECE SEAMLESS SINK UNIT
- WELDED AREAS ARE HIGH-SPEED BELT BLENDED TO MATCH ADJACENT SURFACES WITH THE CONTINUITY OF A SATIN FINISH
- ALL SINK COMPARTMENTS ARE COVERED ON A FULL 5/8" RADIUS AND CONSTRUCTED USING STATE OF THE ART SEAMLESS WELDING TECHNIQUES
- SWIRL AWAY BOWL DRAINAGE
- DIE-STAMPED CREASED DRAIN BOARDS FOR POSITIVE DRAINAGE
- GALVANIZED LEGS AND GUSSETS ARE STANDARD ON ALL MODELS
- OUR STRAINERS ARE BUILT WITH BRASS NUTS INSTEAD OF ALUMINUM (STANDARD)
- ADJUSTABLE ABS BULLET FEET
- CRATING SERVICE AVAILABLE
- STAINLESS STEEL LEGS AVAILABLE (OPTIONAL)



(unit : inch)

Model	Ga.	Bowl Size			Overall Size			# of Faucet Accepted	Net Weight
		W	L	H	W	L	H		
TSA-2-12-D1	18	18	18	12	24	72	44 ^{1/2}	1	66
TSA-2-14-D2	18	18	18	14	24	84	44 ^{1/2}	1	73
TSA-2-D1	18	18	18	11	24	72	44 ^{1/2}	1	63
TSA-2-L1	18	18	18	11	24	57	44 ^{1/2}	1	57
TSA-2-N	18	18	18	11	24	42	44 ^{1/2}	1	50
TSA-2-R1	18	18	18	11	24	57	44 ^{1/2}	1	57
TSB-2-D2	16	24	24	14	30	96	44 ^{1/2}	1	123
TSB-2-L2	16	24	24	14	30	75	44 ^{1/2}	1	109
TSB-2-N	16	24	24	14	30	54	44 ^{1/2}	1	95
TSB-2-R2	16	24	24	14	30	75	44 ^{1/2}	1	109

* Please confirm at the time of the purchase. * Information and specifications are subject to change without notice.
* All net weights are approximated. *Crafting fee will be added for shipping via common carriers.