



Outperform every day.™

Project:
Item Number:
Quantity:

Conveyor Toasters - 950-1,000 Slices Per Hour*

The Vollrath Company, L.L.C.

CONVEYOR TOASTERS - 950-1,000 SLICES PER HOUR* (MODELS JT3, JT3H)



JT3 Models



JT3H Models

DESCRIPTION

Vollrath's 950-1,000 slices per hour conveyor toasters feature easy-to-use conveyor control and variable top and bottom heat control to perfectly toast and warm a variety of bread products – bread, buns, rolls, bagels, waffles, pita bread, Texas toast and English muffins. They provide high-volume with the flexibility to toast a variety of bread products for breakfast and lunch menu items.

WARRANTY

- Warrantied parts: The warranty period is 2 year parts, 1 year labor.
- Heater tubes: The warranty period is 1 year parts and labor. Heater tube glass damage is not covered by this warranty.
- For full warranty details, please refer to www.vollrath.com.

AGENCY LISTINGS



* Slices per hour is based on maximum conveyor speed. Conveyor speed determines toasting time and affects color and texture of the toast. Results may vary based upon type of bread, color and texture preference.

Due to continued product improvement, please consult www.vollrath.com for current product specifications.

ITEMS

Item No.	Model	Description
CT4-2081000	JT3	1,000 Slices Per Hour*, 208V
CT4-2201000**		1,000 Slices Per Hour*, 220V
CT4-2401000		1,000 Slices Per Hour*, 240V
CT4H-208950	JT3H	950 Slices Per Hour*, 208V, High Clearance
CT4H-220950**		950 Slices Per Hour*, 220V, High Clearance
CT4H-240950		950 Slices Per Hour*, 240V, High Clearance

**Made to order item. Made to order items cannot be canceled or returned.

FEATURES

- Stainless steel and aluminized steel construction.
- Variable speed control allows for real-time adjustments.
- Variable top and bottom heat control.
- 14½" (36.8 cm) 3-slice wide conveyor is larger than industry standard for better toasting results.
- Product entry opening on high clearance models can be adjusted from 1½" - 3" (3.8 - 7.6 cm).
- Forced convection toasting promotes uniform results and energy efficiency.
- Energy efficient, fast reacting, quartz heaters.
- High-temperature bearings ensure smooth operation and do not require lubrication.
- High-quality, insulated wires help prevent against dry rotting and cracking.
- High-temperature thermoplastic terminal blocks with stainless steel clamping provides superior connections; designed for ease of serviceability.
- Maintenance-free drive system; stainless steel drive chain does not require lubrication.
- Standby mode saves up to 75 percent energy during slow periods when unit is not in use and allows machine to quickly return to full power.
- Fan control switch senses temperature of unit and keeps fan running until unit is completely cool.
- Adjustable legs.
- 4½ ft. (1.4 m) cord with plug.
- Made in the USA.

CLEARANCE AND ENVIRONMENT REQUIREMENTS

- Do not place on surfaces or near walls, partitions or kitchen furniture unless they are made of non-combustible material or clad with non-combustible heat-insulating material. Toasters must not be used near or below curtains and other combustible materials.
- Maximum ambient temperature: 104° F (40° C).

Approvals	Date



Outperform every day.™

www.vollrath.com

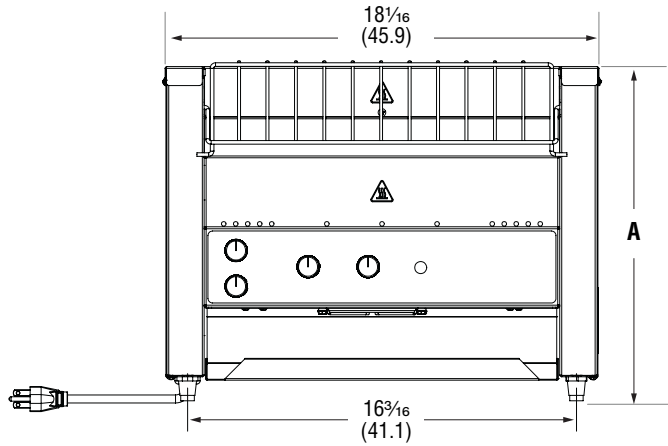
The Vollrath Company, L.L.C.

1236 North 18th Street
Sheboygan, WI 53081-3201 U.S.A.
Main Tel: 800.624.2051 or 920.457.4851
Main Fax: 800.752.5620 or 920.459.6573
Customer Service: 800.628.0830
Canada Customer Service: 800.695.8560

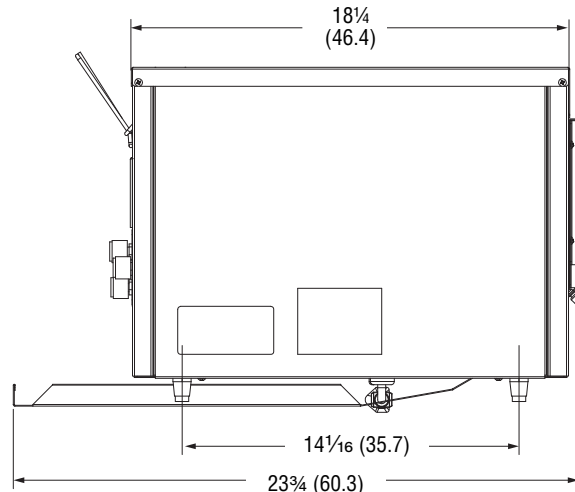
Technical Services
techservicereps@vollrathco.com
Toaster Products: 800.309.2250
All Other Products: 800.628.0832

CONVEYOR TOASTERS - 950-1,000 SLICES PER HOUR* (MODELS JT3, JT3H)

DIMENSIONS (Shown in inches (cm))



Front View



Side View

SPECIFICATIONS

Item No.	Model No.	Slices or Bun Halves Per Hour (Up To)*	Dimensions IN (CM)		Voltage	Watts	Amps	Hz	Weight LB (KG)	Plug	Receptacle
			Product Opening	(A) Height							
CT4-2081000	JT3	1,000	1½ (3.8)	14 (35.6)	208	3600	17.3	60	60 (27.2)	NEMA 6-30P	208-240V G NEMA 6-30R
CT4-2201000**					220		16.4				
CT4-2401000					240		15.0				
CT4H-208950	JT3H	950	Adjustable 1½ - 3 (3.8 - 7.6)	15 (38)	208	3600	17.3				
CT4H-220950**					220		16.4				
CT4H-240950					240		15.0				

* Slices per hour is based on maximum conveyor speed. Conveyor speed determines toasting time and affects color and texture of the toast. Results may vary based upon type of bread, color and texture preference.
 ** Made to order item. Made to order items cannot be canceled or returned..



Outperform every day.™

www.vollrath.com

The Vollrath Company, L.L.C.

1236 North 18th Street
 Sheboygan, WI 53081-3201 U.S.A.
 Main Tel: 800.624.2051 or 920.457.4851
 Main Fax: 800.752.5620 or 920.459.6573
 Customer Service: 800.628.0830
 Canada Customer Service: 800.695.8560

Technical Services
techservicereps@vollrathco.com
 Toaster Products: 800.309.2250
 All Other Products: 800.628.0832