



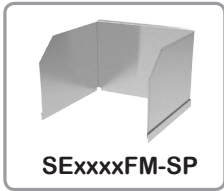
Item No.: _____
Order No.: _____
Qty: _____ Date: _____

STAINLESS STEEL FLOOR MOUNTED MOP SINK

Features

- Stainless steel construction
- Minimizes the spills from emptying mop bucket
- Rectangular sink bowl allows for greater capacity
- Strainer & mounting hardware included
- Addition to janitorial or sanitation washroom

Recommended Accessory:

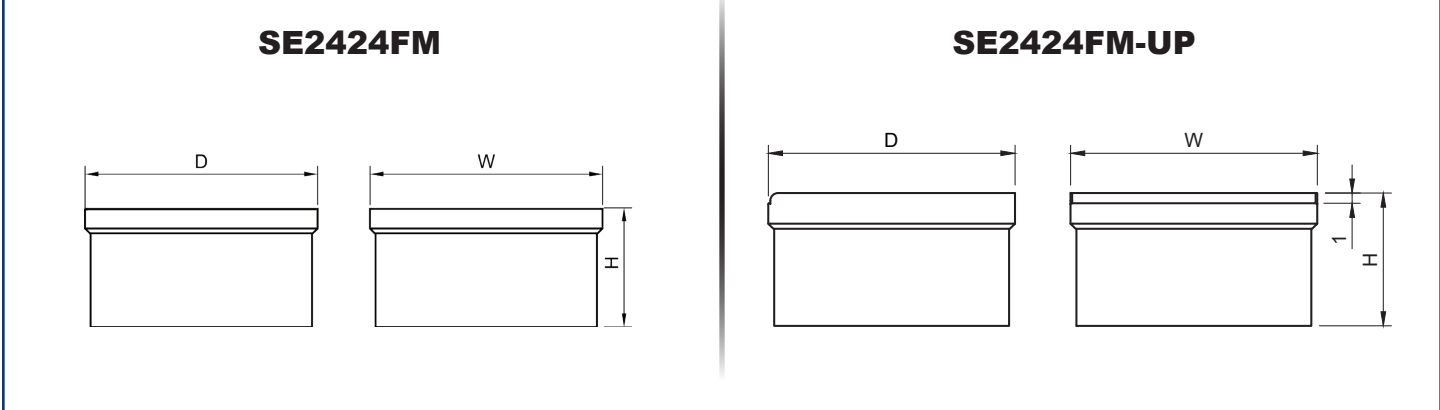


Description

Stainless Steel Floor Mount Mop Sink

Conveniently dispose of dirty mop water with this **GSW** stainless steel floor mounted mop sink. This mop sink features a large, rectangular bowl design allowing for greater capacity, while its welded seams help prevent leakage. It is sure to stand up to consistent use in your commercial kitchen or washroom. Featuring a floor mounted fit, this sink sits low to the ground to minimize both heavy lifting and the spills that often come with it. Ease the cleaning process in your establishment by implementing this floor mounted mop sink!

Plan View



Order No.	D x W x H (in)	Sink Bowl Size (in)	Splash Guard Option (Not Included)	G. W. (lb)
SE2024FM	20 x 24 x 14	16 x 20 x 10	Custom Only	35
SE2424FM	24 x 24 x 14	20 x 20 x 10	Custom Only	39
SE2024FM-UP	20 x 24 x 15	16 x 20 x 10	SE2024FM-SP (Convertible)	36
SE2424FM-UP	24 x 24 x 15	20 x 20 x 10	SE2424FM-SP (Convertible)	40