



# WPG200

## Panini Compresso Slimline Panini Grill



Item # \_\_\_\_\_  
 Model # \_\_\_\_\_  
 Name \_\_\_\_\_  
 SIS \_\_\_\_\_  
 AIA \_\_\_\_\_

Panini Compresso Slimline Panini Grill



### MAIN FEATURES

- Ribbed cast-iron plates
- 7 ¾" x 14 ½" cooking surface – Slim design to fit in tight spaces
- Brushed stainless steel body construction and removable drip tray
- Hinged, auto-balancing top plate
- Adjustable thermostat to 570° F
- Heat-resistant handles
- Heavy-duty grill brush included
- 120V, 1800 W
- Limited One Year Warranty

### ELECTRICAL

Voltage: 120

Frequency: 60Hz

Watts: 1800W

Amps: 15A

Plug Type: NEMA 5-15P 

Cord Length: 3 feet



### SALES FEATURES

Conserve valuable counter space while making perfectly grilled panini sandwiches. Designed to fit into tight spaces, this slim unit features ribbed cast-iron plates for quick and even cooking of sandwiches, burgers, chicken, vegetables, and more. The variable temperature dial makes the unit easy to operate, and the brushed stainless steel body and removable tray simplify cleanups. Heat-resistant handles ensure safety.



@waringcommercial

©2019 Waring Commercial  
 314 Ella T. Grasso Avenue, Torrington, CT 06790  
 Tel. 800-492-7464 • Fax 860-496-9008

waringcommercialproducts.com

WPG200



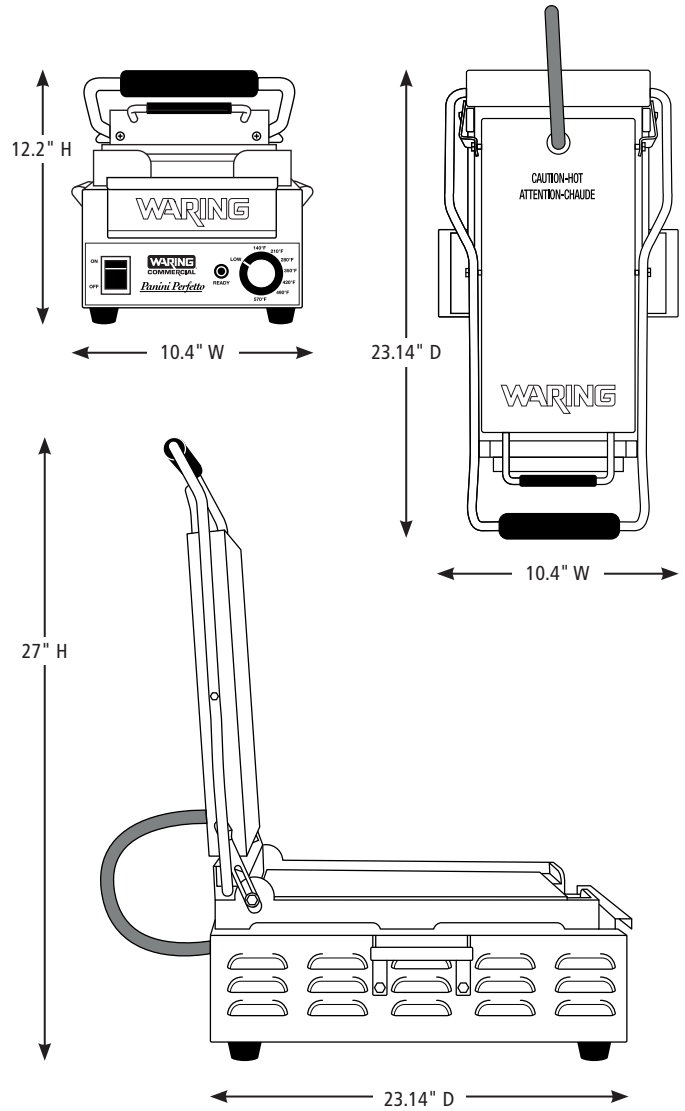
# Panini Compresso Slimline Panini Grill WPG200

## PARTS & ACCESSORIES



**CAC105** Cleaning Brush

## DIMENSIONS



Out of Box Weight: 50.04 lb.

ORDERING INFORMATION	#STD. PKG.	GIFTBOX WEIGHT	CUBIC FEET	BOX DIMENSIONS D X W X H	UPC	CASE PKG.	MC WEIGHT	MC DIMENSIONS D X W X H	MBC
WPG200 – Panini Compresso Slimline Panini Grill	1	53	1.69	26.3" x 14.3" x 14.1"	040072087967	1	56	28.3" x 16.3" x 16"	10040072087964



@waringcommercial

©2019 Waring Commercial  
314 Ella T. Grasso Avenue, Torrington, CT 06790  
Tel. 800-492-7464 • Fax 860-496-9008

waringcommercialproducts.com

19WC062862 / REV 07/19