



"Where a Great Kitchen Begins"

Refrigerated Sandwich Prep Tables

One, Two and Three Door

Customer Service: 917-818-6899 | Service/Warranty: 1-866-972-3352

www.PadelaEquipment.com | Sales@PadelaEquipment.com | Service@PadelaEquipment.com



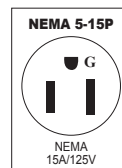
MODELS: PDS-27-HC
PDS-48-HC
PDS-60-HC
PDS-72-HC

FEATURES:

- Stainless Steel Exterior & Interior
- Rear Mount Compressor with environmentally friendly R290 refrigerant
- Dixell Digital Controller
- Maintains temperatures between 33°F -40°F
- Pre-installed 4" Deep Stainless Steel pans
- 10" cutting board
- Recessed Door Handle(s)
- Self-Closing door(s) with stay open feature
- Magnetic Door Gasket(s) standard for positive door seal
- One (1) Pre-Installed shelf per section
- Pre-Installed Casters

DIMENSIONS:

	Width	Depth	Height	Weight
PDS-27-HC	27 ^{1/2}	x 30	x 44 ^{1/4}	196
PDS-48-HC	48 ^{1/4}	x 30	x 44 ^{1/4}	275
PDS-60-HC	60 ^{1/4}	x 30	x 44 ^{1/4}	319
PDS-72-HC	72 ^{11/16}	x 30	x 44 ^{1/4}	379





"Where a Great Kitchen Begins"

Refrigerated Sandwich Prep Tables

One, Two and Three Door

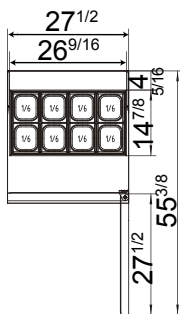
Customer Service: 917-818-6899 | Service/Warranty: 1-866-972-3352

www.PadelaEquipment.com | Sales@PadelaEquipment.com | Service@PadelaEquipment.com

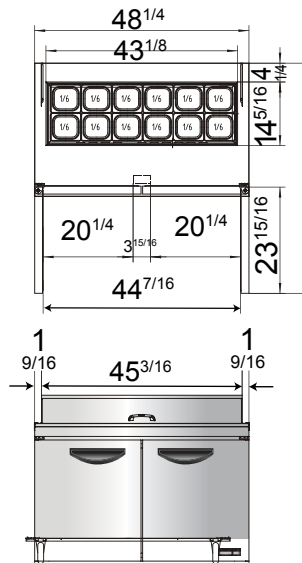
SPECIFICATIONS

Model	Model	Shelves	Cu.Ft	Exterior Dimensions (W x D x H)	Castors	Weight(LBS)	Voltage	HP	Amps	Refrigerant
PDS-27-HC	1	1	7.15	27 ^{1/2} × 30 × 44 ^{1/4}	4 inch	196.21	115/60/1	1/6	2.3	R290
PDS-48-HC	2	2	13.38	48 ^{1/4} × 30 × 44 ^{1/4}	4 inch	275.58	115/60/1	1/6	2.3	R290
PDS-60-HC	2	2	17.2	60 ^{1/4} × 30 × 44 ^{1/4}	4 inch	319.67	115/60/1	1/5	2.8	R290
PDS-72-HC	3	3	21.13	72 ^{11/16} × 30 × 44 ^{1/4}	4 inch	379.2	115/60/1	1/5	2.8	R290

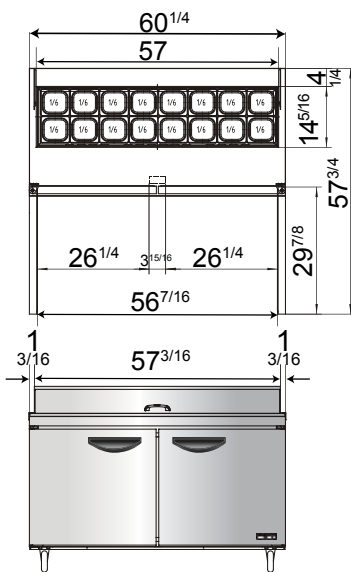
LINE DRAWINGS



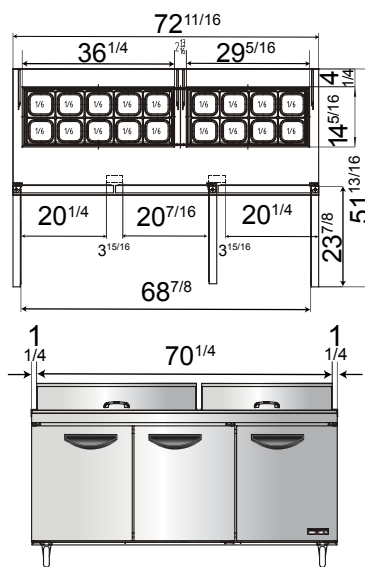
PDS-27-HC



PDS-48-HC

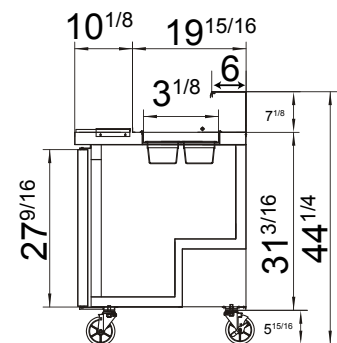


PDS-60-HC



PDS-72-HC

Side View



Temperature Control



Epoxy Shelves



Castors



Rear Grate

