



"Where a Great Kitchen Begins"

Undercounter Freezers

Customer Service: 917-818-6899 | Service/Warranty: 1-866-972-3352
 www.PadelaEquipment.com | Sales@PadelaEquipment.com | Service@PadelaEquipment.com



PDU-27F-HC



PDU-36F-HC



PDU-48F-HC

MODELS: PDU-27F-HC
 PDU-36F-HC / PDU-48F-HC

FEATURES:

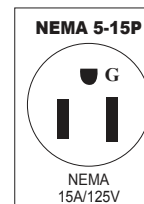
- Stainless steel exterior & interior with reinforced stainless steel top
- Environmentally friendly R290 refrigerant
- Electronic temperature controller
- Maintains temperatures between -8°F – -1°F
- Recessed door handle(s)
- Self-closing door(s) with stay open feature
- Magnetic door gasket(s) standard for positive door seal
- Pre-installed casters
- One(1) pre-installed shelf per section

ACCESSORIES:

- Extra shelves – includes 4 shelf clips per shelf
- PDU-27F-HC shelf part #: W0402568
- PDU-36F-HC shelf part #: W0402713
- PDU-48F-HC shelf part #: W0402171

DIMENSIONS:

	Width	Depth	Height	Weight
PDU-27F-HC	27 ^{1/2} x	30 x	34 ^{1/5}	179 lbs
PDU-36F-HC	36 ^{3/8} x	30 x	34 ^{1/5}	222 lbs
PDU-48F-HC	48 ^{1/5} x	30 x	34 ^{1/5}	245 lbs





"Where a Great Kitchen Begins"

Undercounter Refrigerators

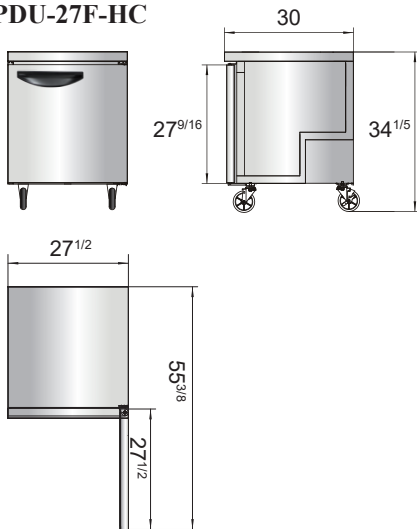
Customer Service: 917-818-6899 | Service/Warranty: 1-866-972-3352
 www.PadelaEquipment.com | Sales@PadelaEquipment.com | Service@PadelaEquipment.com

SPECIFICATIONS

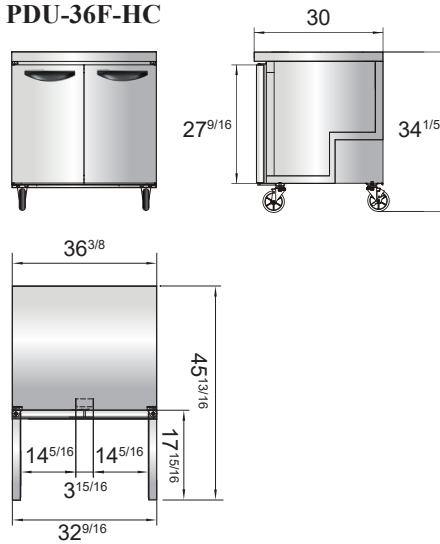
Models	Door	Capacity (Cu.Ft.)	Shelves	Casters (inch)	Amps (A)	Voltage (V/Hz/Ph)	HP	Refrigerant	Exterior Dimensions(inch)	Net Weight(LBS)	Gross Weight(LBS)
PDU-27F-HC	1	7.2	1	2	1.8	115/60/1	1/5	R290	27 ^{1/2} × 30 × 34 ^{1/5}	146	179
PDU-36F-HC	2	8.7	2	2	2.6	115/60/1	1/4	R290	36 ^{3/8} × 30 × 34 ^{1/5}	172	222
PDU-48F-HC	2	13.4	2	2	2.6	115/60/1	1/4	R290	48 ^{1/5} × 30 × 34 ^{1/5}	203	245

LINE DRAWINGS

PDU-27F-HC



PDU-36F-HC



PDU-48F-HC

